



📍 **Factory**
PHRONESIZ MARKETING VENTURES PVT. LTD.
Plot No. X-2, Shendra 5 Star MIDC,
Aurangabad - 431 154, Maharashtra, India.
☎ +91 240 2622385, +91 98224 99111 +91 98819 99111
✉ vikas.k@phronesiz.com

📍 **Jalgaon Office :**
Vivek Patil
G-33,2nd Floor Golani Market, M.G.Road,
Jalgaon 425001
☎ +91 90963 47777.
✉ reachpatilvb@gmail.com

📍 **Pune Office**
SATORI CONSULTING
15-16, Runwal Platinum, Ramnagar Colony,
NDA Road, Bavdhan, Pune, Maharashtra - 411 021,
☎ +91 95526 33400.
✉ santosh.k@phronesiz.com

Pankaj Raut
☎ +91 90110 50229
✉ pankaj.r@phronesiz.com

Dealership Details :



A family of four is sitting on a white sofa in front of a large window. The window has a view of a golf course and a lake. The text "superior sense of use and a finer sense of comfort" is overlaid on the window view.

superior sense
of use and a
finer sense of
comfort

ABOUT US

Satori Windows is one of the leading manufacturer and suppliers of high quality architectural Windows and Door system made from quality aluminium, Upvc and steel.

“Total Engineering” in aluminium, Upvc and glass fabrication is one line that introduces us better.

We have created a globally relevant infrastructure at our main plant in Shendra MIDC, Aurangabad, and have built a rigorous QA process based on decades of highly professional customer servicing. These competitive differentiators help us scale the growth path and be a valuable partner in our clients' operational accomplishments. In addition to our main facility at Aurangabad, we have also Sales offices in Pune and Jalgaon. This helps us to radically improve our time-to-market and helps in ensuring total customer satisfaction.

Industry we serve is

- ▶ High End Bungalow Project
- ▶ High-End Residential Buildings
- ▶ Commercial Buildings
- ▶ Housing Township Projects
- ▶ High Rise Projects
- ▶ Hospitality Projects

In order to be relevant and important to our clients, our internal R&D team has been successful in innovating our core product line. This helps us in offering better quality windows that meets the existing and future needs of our esteemed clients.

Millions of product by Satori Windows are used all over India and meet the highest requirement of

- ▶ Design,
- ▶ Custom built,
- ▶ Affordable,
- ▶ Comfort,
- ▶ Security and
- ▶ Energy efficient.

We ensure the impressive insulation, long term durability and custom colour, design and fitting options. Satori Windows represent great value for money for those seeking to maximise performance on budget. Whether a home or office, we have the experience know-how and craftsmanship to make your project perfect.



Aluminium System Windows
uPVC Windows

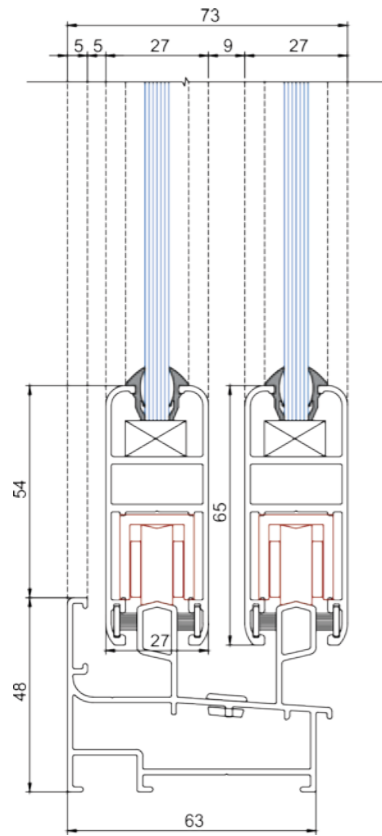
SATORI ADVANTAGES

- ▶ Made from Hindalco / Jindal / Okotech quality aluminium / uPVC extrusions to ensure higher strength and durability.
- ▶ Superior Italian design.
- ▶ Quality hardware and accessories for long-lasting trouble-free performance.
- ▶ Made from high-quality aluminium, to provide superior anodizing and coating properties.
- ▶ Limitless colours and textures : anodized, PVDF, powder coated and wood finish.
- ▶ Lasts and retains colours against sunlight - longest in the category.
- ▶ Smooth, noiseless and hassle-free operations.
- ▶ Rust-free and requires no maintenance.
- ▶ Suitable for all weather conditions.
- ▶ Customised solutions, fabrication and installation by experienced fabrication team.
- ▶ Specialized Italian punching machine and tools for precision, consistency and superior finish.
- ▶ Satori Windows meet and balance a number of requirement ranging from aesthetic to function. These includes,
 - ▶ Natural Light,
 - ▶ Providing fresh air,
 - ▶ Thermal Insulation,
 - ▶ Security,
 - ▶ Sound Reduction,
 - ▶ Match the Interior as well as facade,
 - ▶ Resist water Including sunlight.



SLIDING SYSTEM

SW 270 S

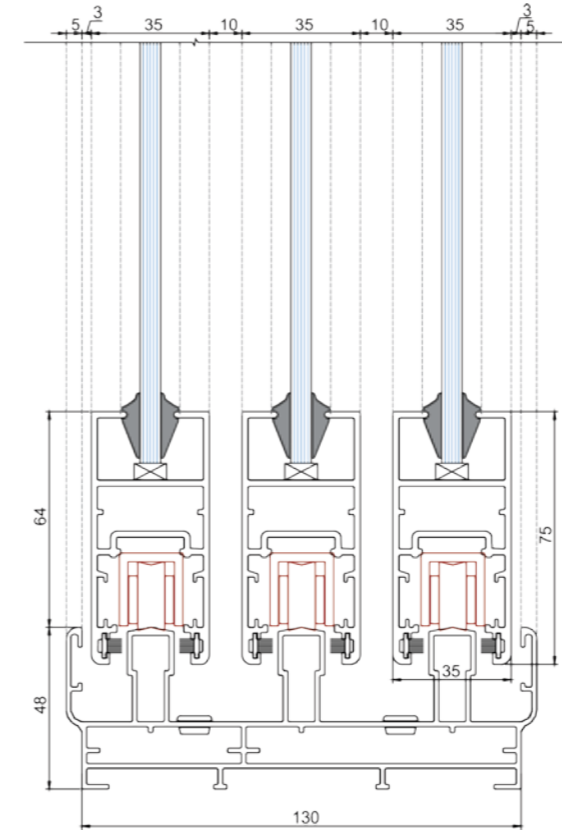


MEDIUM

- ▶ Available in 2-track, 3-track, 4-track and 5-track, along with fixed frame option.
- ▶ Option of double-glazing/laminated glass for excellent sound & heat insulation.
- ▶ Range of glass/panel thicknesses : 6 mm to 20 mm.
- ▶ Single roller capacity : 70 kg/shutter and adjustable double roller capacity : 90 kg/shutter.
- ▶ Mechanically strong corner joints.
- ▶ Option with heavy-duty shutter for high-rise buildings and larger dimensions.
- ▶ Seal type (Air/Water): Wool pile/EPDM gasket.
- ▶ Provision for insect screen.
- ▶ Limits of employment : 3000 mm height.

SLIDING SYSTEM

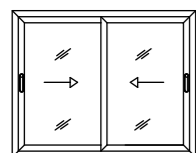
SW 350 S



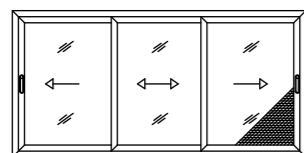
HEAVY

- ▶ Available in 2-track, 3-track and 4 track along with fixed frame option.
- ▶ Option of double-glazing/laminated glass for excellent sound & heat insulation.
- ▶ Range of glass/panel thicknesses : 6 mm to 26 mm.
- ▶ Single roller capacity : 100 kg/shutter and adjustable double roller capacity : 150 kg/shutter.
- ▶ Mechanically strong corner joints.
- ▶ Seal type (Air/Water): Wool pile/EPDM gasket.
- ▶ Option with heavy-duty shutter for high-rise buildings and larger dimensions.
- ▶ Provision for insect screen.
- ▶ Automatic, manual and multi-point locking system.
- ▶ Limits of employment : 3000 mm height.

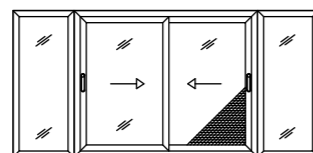
Topology-Sliding Series



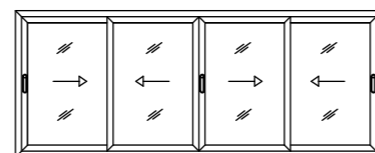
2 TRACK - 2 SHUTTER



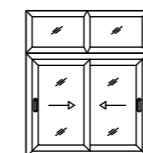
4 TRACK - 3 SHUTTER - 1 MESH



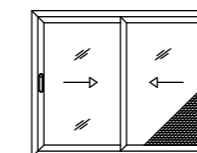
3TRACK - 2SHUTTER - 1MESH + FIX



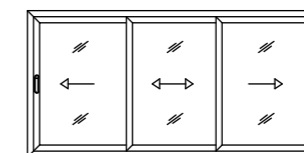
2 TRACK - 4 SHUTTER



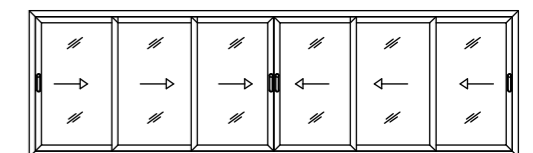
2 TRACK - 2 SHUTTER
TOP FIX



3 TRACK - 2 SHUTTER -
1 MESH



3 TRACK - 3 SHUTTER

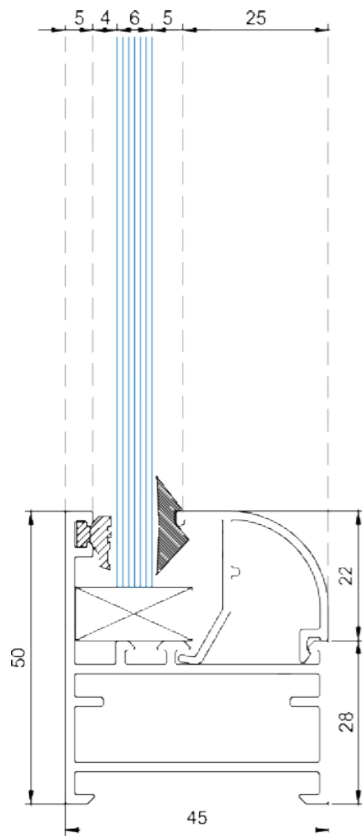


3 TRACK - 6 SHUTTER

CASEMENT SYSTEM

SW 450 C

MEDIUM

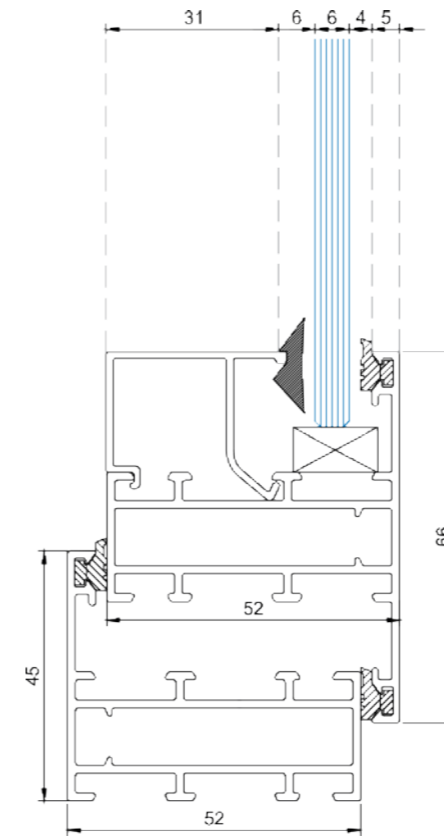


- ▶ External & Internal Opening, Tilt & Turn, Pivot and Top Hung, with fixed frame option.
- ▶ Range of glass / panel thickness from 4 mm to 20 mm.
- ▶ Option of double-glazed / laminated glass for excellent sound & heat insulation.
- ▶ Glazing from inside for security.
- ▶ Mechanically strong corner & 'T' joints.
- ▶ Seal type (Air / Water): internal & external overlapping central gasket & rabbet (EPDM). Co-extruded for weather resistance (-30°C to 50°C).
- ▶ Single to multi-point locking system.
- ▶ Insect screen option available.
- ▶ Limits of employment : 2300 mm height.

CASEMENT SYSTEM

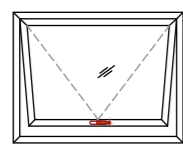
SW 520 C

HEAVY

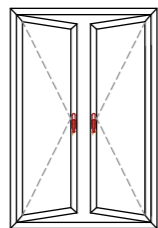


- ▶ External & Internal Opening, Tilt & Turn, Pivot and Top Hung, with fixed frame option.
- ▶ Range of glass / panel thickness from 4 mm to 25 mm.
- ▶ Option of double-glazed / laminated glass for excellent sound & heat insulation.
- ▶ Glazing from inside for security.
- ▶ Mechanically strong corner & 'T' joints.
- ▶ Seal type (Air / Water): internal & external overlapping central gasket & rabbet (EPDM). Co-extruded for weather resistance (-30°C to 50°C).
- ▶ Single to multi-point locking system.
- ▶ Insect screen option available.
- ▶ Limits of employment : 2750 mm height.

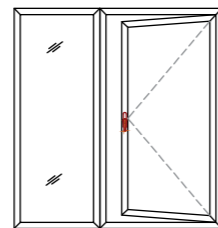
Topology-Casement (Openable) Series



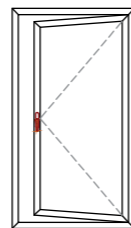
TOP HUNG



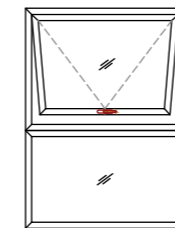
DOUBLE OPENABLE



FIX + OPENABLE



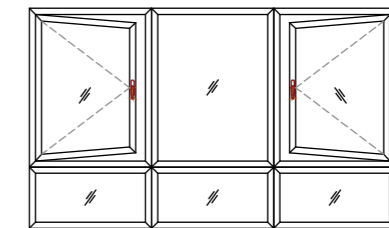
OPENABLE



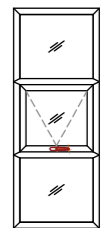
FIX + TOP HUNG



FIX



OPENABLE + FIX



FIX + OPENABLE

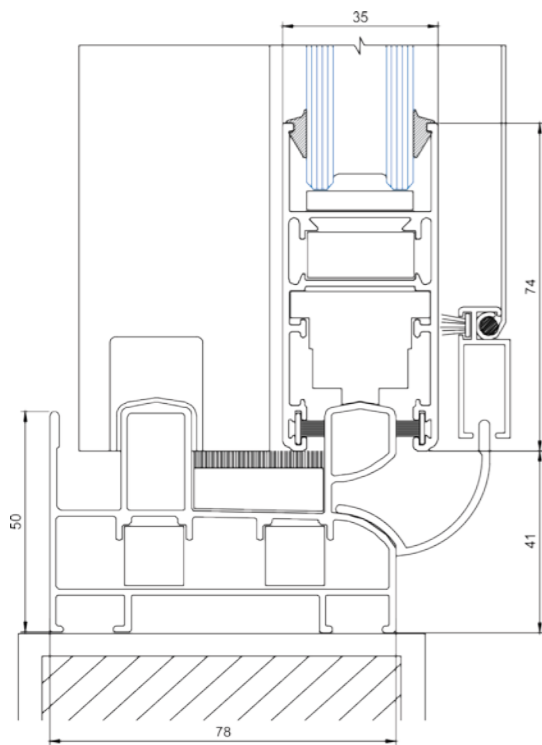
SLIDING SYSTEM

ET 350 S

SLIDING SYSTEM

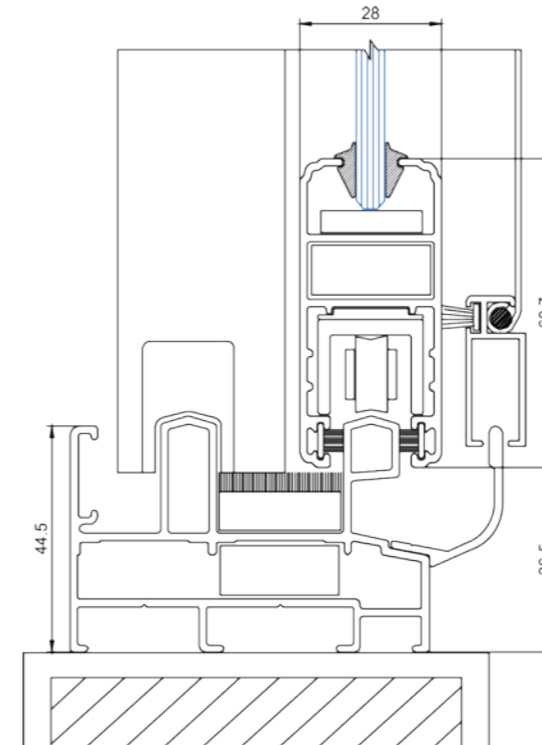
ET 280 S

HEAVY



- ▶ Available in 2-track and 3-track, along with fixed frame option.
- ▶ Option of double-glazing/laminated glass for excellent sound & heat insulation.
- ▶ Range of glass/panel thicknesses : 6 mm to 26 mm.
- ▶ Single roller capacity : 100 kg/shutter and adjustable double roller capacity : 150 kg / shutter.
- ▶ Mechanically strong corner joints.
- ▶ Seal type (Air/Water): Wool pile/EPDM gasket.
- ▶ Option with heavy-duty shutter for high-rise buildings and larger dimensions.
- ▶ Provision for insect screen.
- ▶ Automatic, manual and multi-point locking system.
- ▶ Limits of employment : 3000 mm height.

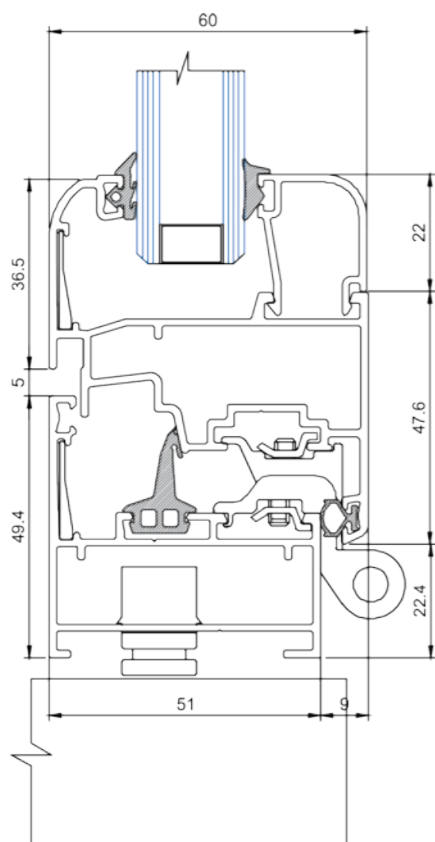
MEDIUM



- ▶ Available in 2-track, 3-track, 4-track and 5-track, along with fixed frame option.
- ▶ Option of double-glazing/laminated glass for excellent sound & heat insulation.
- ▶ Range of glass/panel thicknesses : 6 mm to 20 mm.
- ▶ Single roller capacity : 70 kg/shutter and adjustable double roller capacity : 90 kg/shutter.
- ▶ Mechanically strong corner joints.
- ▶ Option with heavy-duty shutter for high-rise buildings and larger dimensions.
- ▶ Seal type (Air/Water): Wool pile/EPDM gasket.
- ▶ Provision for insect screen.
- ▶ Limits of employment : 3000 mm height.

CASEMENT SYSTEM

ET 510 C

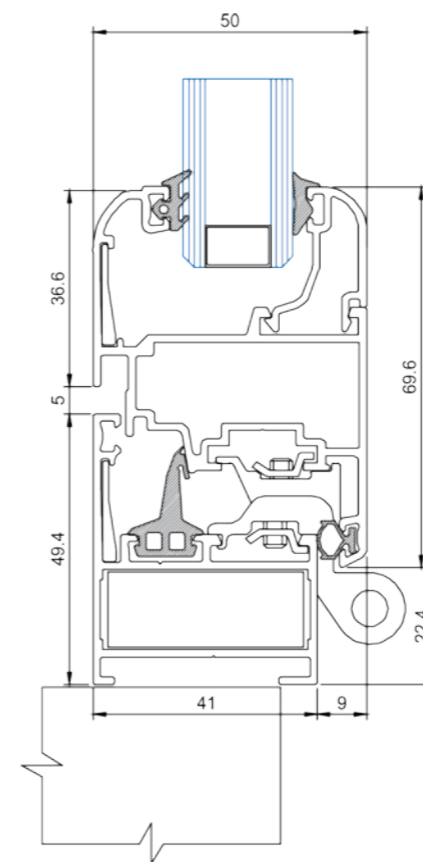


HEAVY

- ▶ External & Internal Opening, Tilt & Turn, Pivot and Top Hung, with fixed frame option.
- ▶ Range of glass / panel thickness from 4 mm to 25 mm.
- ▶ Option of double-glazed / laminated glass for excellent sound & heat insulation.
- ▶ Glazing from inside for security.
- ▶ Mechanically strong corner & 'T' joints.
- ▶ Seal type (Air / Water): internal & external overlapping central gasket & rabbet (EPDM). Co-extruded for weather resistance (-30°C to 50°C).
- ▶ Single to multi-point locking system.
- ▶ Insect screen option available.
- ▶ Limits of employment : 2750mm height.

CASEMENT SYSTEM

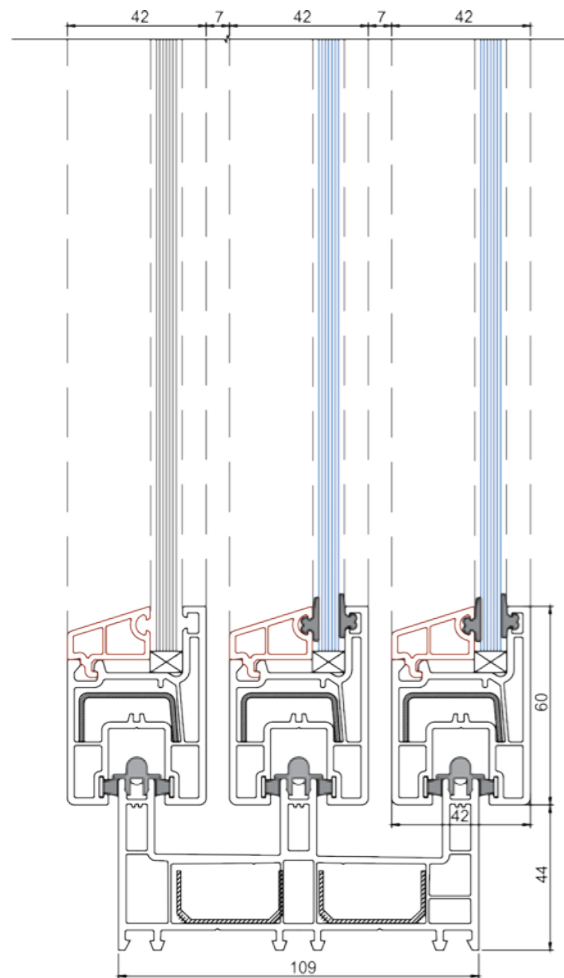
ET 410 C



MEDIUM

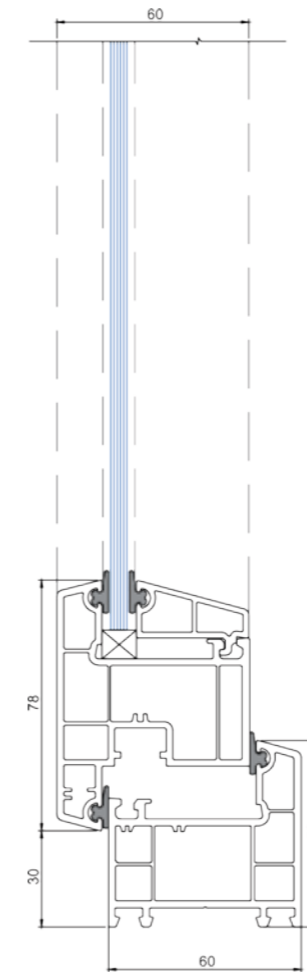
- ▶ External & Internal Opening, Tilt & Turn, Pivot and Top Hung, with fixed frame option.
- ▶ Range of glass / panel thickness from 4 mm to 20 mm.
- ▶ Option of double-glazed / laminated glass for excellent sound & heat insulation.
- ▶ Glazing from inside for security.
- ▶ Mechanically strong corner & 'T' joints.
- ▶ Seal type (Air / Water): internal & external overlapping central gasket & rabbet (EPDM). Co-extruded for weather resistance (-30°C to 50°C).
- ▶ Single to multi-point locking system.
- ▶ Insect screen option available.
- ▶ Limits of employment : 2300mm height.

Ö7 Sliding Series



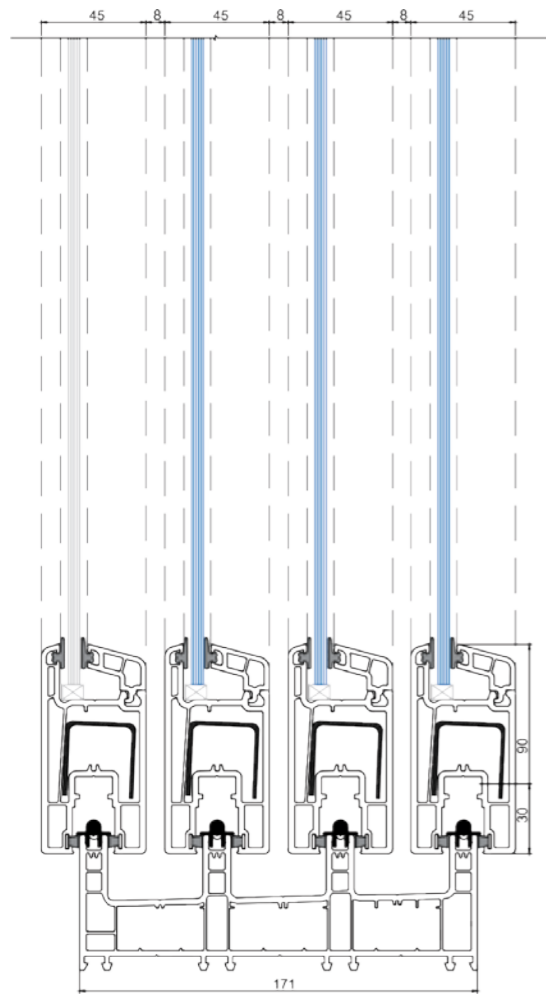
- ▶ Available in 2 Track, 3 Track along with fixed frame option.
- ▶ Option of double glazing / laminated glass for excellent sound and heat insulation.
- ▶ Range of glass thickness: 4 mm to 26 mm (Tinted, Toughened, Frosted, single glaze, double glaze etc).
- ▶ Intermediate sash - Bigger windows height (1600 to 2000 mm) more opening more natural air and sunlight.
- ▶ Swift and smooth movement of sashes due to low friction between tracks and rollers.
- ▶ When it closed then these windows block external sound.
- ▶ Made of uPVC, a new age material which is low maintenance with negligible Thermal Expansion
- ▶ As a result the product retains its shape, sheen and color for years together.
- ▶ Window height up to 2000 mm for more Sunlight, Air and opening.

Ö7 Casement Series



- ▶ External and Internal opening, Tilt and Turn Pivot and Top Hung with fixed frame option
- ▶ Range of glass thickness 4 mm to 26 mm (Tinted, Toughened, Frosted, single glaze, double glaze etc)
- ▶ Option of double glazing / laminated glass for excellent sound and heat insulation
- ▶ Offers increased security with grids
- ▶ Multipoint locking system: Projection handle with key
- ▶ Smooth movement of 2-D as well as 3-D Hinges
- ▶ Double sealing by EPDM gasket to reduce sound and air leakages
- ▶ Applicable for Residential, Commercial, Hospitals, Colleges, Buildings etc

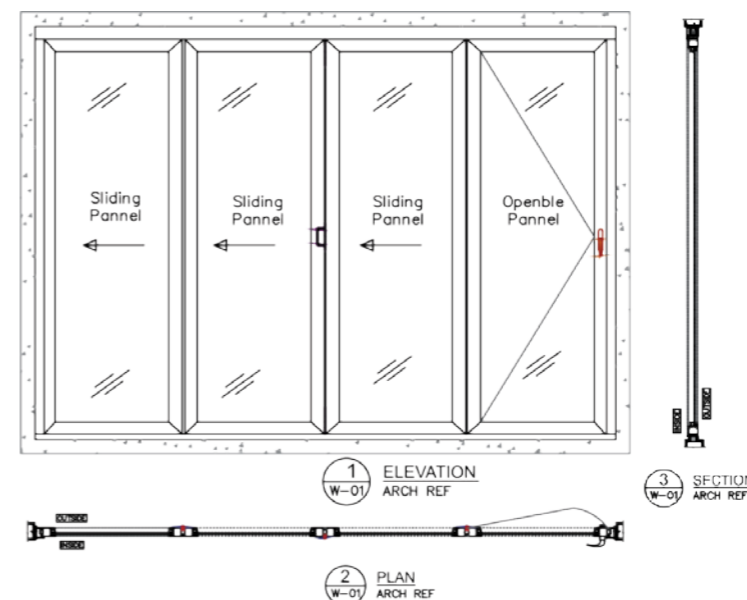
Ö10 Sliding Series



- ▶ Available in 2 Track, 3 Track and 4 Track along with fixed frame option
- ▶ Option of double glazing / laminated glass for excellent sound and heat insulation
- ▶ Range of glass thickness: 4 mm to 26 mm (Tinted, Toughened, Frosted, single glaze, double glaze etc)
- ▶ Multipoint locking system
- ▶ Smooth movement: Double strength heavy duty roller with Aluminum Rail
- ▶ Wind load 3000 Pascal with Hurricane bar > 3000 Pascal
- ▶ Window height up to 5000 mm for more Sunlight, Air and Opening

SLIDING FOLDING DOOR

- ▶ Designing, providing and fixing of Aluminium SFD are stackable folding doors of multiple panels that slide and stack neatly to one or two sides. This allows for a seamless transition between indoors and outside entertainment areas free of any barrier or obstruction.
- ▶ Aluminium Sliding / Folding doors turns any room into a light filled oasis.
- ▶ The ideal way to link your internal and external entertainment areas.
- ▶ SFD has a series of between 2 to 7 doors, hinged so they fold onto themselves.
- ▶ Opens up patio spaces completely.
- ▶ Aluminium SFD fold up and slide away.
- ▶ Durable rollers, handles, hinges etc.
- ▶ Aluminium SFD are fully weatherproofed with quality vinyl seals and wool pile & EPDM.
- ▶ Keyed lock for added security.
- ▶ Available in a range of finishes like powder coating, wooden coating & anodising.
- ▶ Available in 3, 5 & 7 panel.
- ▶ Also available in 2 & 4 even panels.
- ▶ Option of double glazing / laminated glass for excellent sound & heat insulation.
- ▶ Range of glass thickness : 5 mm to 26 mm (Tinted, toughened frosted single glaze, double glaze etc.)
- ▶ Smooth movement : double strength heavy duty roller at top.
- ▶ Wind load 3000 pascal with Hurricane bar>3000 pascal.
- ▶ SFD height upto 2440 mm for more sunlight & air.
- ▶ Width of single panel upto 1000 mm.





FEATURES THAT STAY PERFECT FOR DECADES



Aluminium System Windows
uPVC Windows



ENERGY EFFICIENT

Are you looking for the most energy-efficient uPVC / Aluminium Windows in India? SATORI WINDOWS manufactures all the window components in-house using globally certified formulations. We take pride in fulfilling the demand for increasingly sustainable building products.



WEATHERPROOF

The SATORI WINDOWS keep rainwater and wind away from your home, while the impact modifier provides resistance to the window during extreme weather conditions. This makes a SATORI WINDOWS almost invincible in any kind of weather.



SOUND INSULATION

The noise levels especially in areas with heavy traffic can be considerably decreased by combining the uPVC / Aluminium profiles with specially insulating glass panes.



SAFE & SECURE

Every SATORI WINDOWS is reinforced by a concealed GI section which is designed based on the wind pressure of that region, providing additional strength and stability. Making your home safe and secure.



UV RESISTANCE

SATORI WINDOWS offer 100% UV resistance with the right amount of TiO₂, which helps in retaining whiteness against exposure to the sun.



ECO-FRIENDLY

Lead-free, consumes less power when extruded and are completely recyclable due to the presence of calcium zinc stabilizers.

FACTORY SETUP

We have state of the art, modern factory located in MIDC Shendr, Aurangabad. The company operates with a staff strength of over 60 skilled workers, 6 designers and office staff. Our factory is spread in 80,000 sq.ft area with 30000 sq.ft shop floor area.

Our factory is equipped with the latest German (Heffner) made fully Robotic machining centre, European cutting, routing, crimping, end milling, welding, corner cleaning machines for perfect finishes, precision, workmanship and quick production.

With the latest machines set up we can produce close to 80-100 number of aluminium and uPVC windows per day, close to 2500 sq.ft per day.

Hence we have invested significantly in strategic centres of manufacturing that not only improves our time-to-market for our valued customers, but also makes our product available at extremely competitive prices.



Some salient features of our setup include the below

1. Foam Italy Make Panda 400 cutting Machine
2. Foam Italy Make Calco Copy routing Machine
3. Foam Italy Make JET End Milling Machine
4. Foam Italy Make Punching Machine
5. CNC Corner Cleaning Machine
6. Three Head Welding Machine
7. Glazing Bead Saw
8. Cutting Machine
9. Two Part Gun -----Imported
10. Crimping Machine -----Imported



11. Makina (Germany) Made, machine especially to Cater the volume of System Aluminium Windows, & Unitized Glazing System of its unique kind available currently in India. The Machine is capable of doing following operations in bulk batches with Robotics & computerized interface, & the silent features of the Machine are as under.

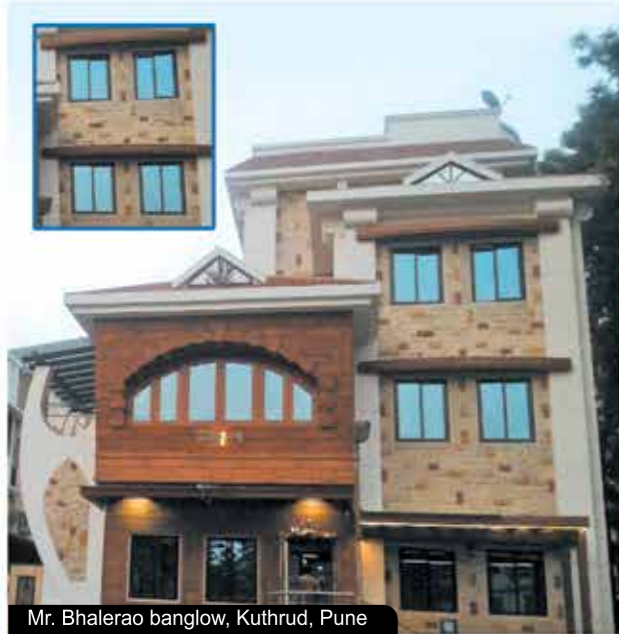
- ▶ You can load simultaneously 10 Jobs (of transom, or mullion Aluminium section).
- ▶ All cutting, notching, milling, drilling & making (barcode printer) operations on the aluminum profiles have been integrated together in single computer controlled machine.
- ▶ 7 (Seven) profile stacking possibility, saw diameter Ø 600. Maximum profile processing width 225 mm & Max. profile processing 185 mm.
- ▶ Automatic horizontal - vertical positionable gripper
- ▶ Able to make automatic cutting at all angles between 45° & 135° in 0,1° sensitivity via Servo motors
- ▶ Able to work with high speed & sensitivity (thanks to 8 axis controlled by servo motors)
- ▶ Feature able to perform opening, drilling & milling operations of angled water drainage channel
- ▶ Feature able to carry remaining waste parts to the waste chamber with automatic conveyor system
- ▶ Increasing the production speed with simultaneous machining of barrel, mirror & arm on doors
- ▶ Able to perform all operations sensitively with 8 tool set being in the milling group
- ▶ 15" touch screen high performance industrial PC having Windows 8 Embedded operating system & working between 0°C - 55°C without fan
- ▶ Working with production data coming from different window production software programs by giving minimum waste



PROJECTS COMPLETED



Aluminium System Windows
uPVC Windows



Mr. Bhalerao banglow, Kuthrud, Pune

We design windows to match your aesthetic sense of your home



Mr. Satish Borwankar, (Tata Motors), Pimpri, Pune

Satori Windows are made of stable & inert material which will withstand extremes of heat & cold without corroding.



Arch. Chandratre, Bungalow, Bavdhan, Pune



Hubtown, Matunga, Mumbai



F Residences Xribia Project, Balewadi, Pune

PROJECTS COMPLETED

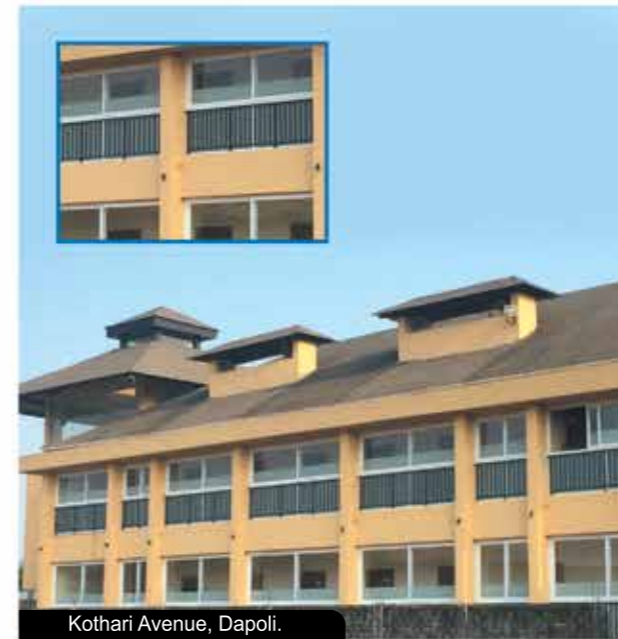


Aluminium System Windows
uPVC Windows



Mr. Arun Puri, Vimannagar, Pune

Satori Windows offer energy efficiency and better protection from the elements.



Kothari Avenue, Dapoli.

Sliding windows are ideal for spaces that require space economy



Jijau Hospital, Dr. Nilesh Patil, Jamner-Jalgaon



Arch. Omkar Samudra, Balewadi, Pune



Mr. Vishal Shinde, Wakad, Pune



Mrs. Sayali Paithane, Bavdhan, Pune

PROJECTS COMPLETED



Aluminium System Windows
uPVC Windows



Sliding Folding Door, Phronesiz Factory, Aurangabad

Clear,
Visionary,
Vibrant,
with
Quality,
Trust,
Responsibility



Mr. Alok Singh (Tata Motors), Pimpri, Pune.

Enhanced
aesthetic
appeal for
your
house.



Mr. Girvar Singh, Aurangabad



Mr. Kishor Nathani, Aurangabad



Mr. Surjit Mukharjee, Lavasa



Mr. Deepak Agrawal, Aurangabad

COLOURS AVAILABLE

Powder coating shade**

1000	1001	1002	1003	1004	1005	1006	1007
1011	1012	1013	1014	1015	1016	1017	1018
1019	1020	1021	1023	1024	1027	1028	1032
1033	1034	2000	2001	2002	2003	2004	2008
2009	2010	2011	2012	3000	3001	3002	3003
3004	3005	3007	3009	3011	3012	3013	3014
3015	3016	3017	3018	3020	3022	3027	3031
4001	4002	4003	4004	4005	4006	4007	4008
4009	5000	5001	5002	5003	5004	5005	5007
5008	5009	5010	5011	5012	5013	5014	5015
5017	5018	5019	5020	5021	5022	5023	5024
6000	6001	6002	6003	6004	6005	6006	6007
6008	6009	6010	6011	6012	6013	6014	6015
6016	6017	6018	6019	6020	6021	6022	6024
6025	6026	6027	6028	6029	6032	6033	6034
7000	7001	7001	7002	7003	7004	7005	7006
7008	7009	7010	7011	7012	7013	7015	7016
7021	7022	7023	7024	7026	7030	7031	7032
7033	7034	7035	7036	7037	7038	7039	7040
7042	7043	7044	8000	8001	8002	8003	8004
8007	8008	8011	8012	8014	8015	8016	8017
8019	8022	8023	8024	8025	8028	9001	9002
9003	9004	9005	9010	9011	9016	9017	9018

Anodized Shade



Aluminum Wooden Shade

uPVC Wooden Shade



** Other than regular RAL code, for special RAL minimum quantity required is 5000 sq.ft.

HARDWARE & ACCESSORIES



Aluminium System Windows
uPVC Windows



Window L Handle



Golden Handle



uPVC Sliding Window Roller



Aluminium Window Roller



Center Lock Cap



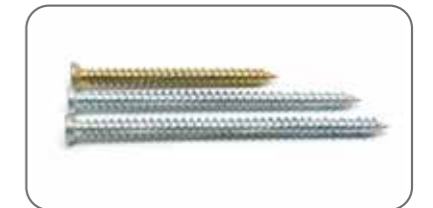
Aluminium Sliding Window Lock



Multipoint Point Sliding Lock



Hole Cap



Flxing Screws



Corner Clit



Anti-Lift



EPDM Ruber Gas Kit



Wheather Sprit Wool Pile



SS/Aluminium mosquito mesh

Look at your
surrounding views with
clear & uninterrupted
vision through Satori Windows

Extrusion Partners



Machinery Partners



Hardware Partner



Glass Partner

